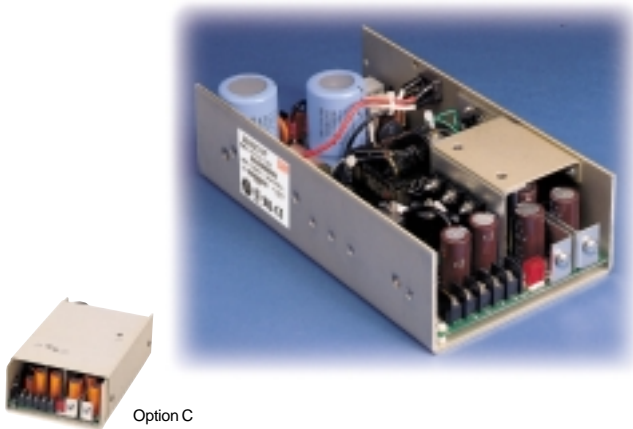


# MAX-250, MAX-350, Multiple Output

NON-STOCK ITEM; SPECIAL ORDER ONLY  
NOT FOR NEW DESIGNS



Option C

## SPECIFICATIONS:

### INPUT

**Ac Input:** 90-132 Vac/180-264 Vac, 47 to 63 Hz. User selectable. See option "A" for automatic line selection. Internally fused for 10 A.  
**Inrush:** Cold start ac current is less than 10 A at 115 Vac and 18 A at 230 Vac.

**Holdup Time:** 16 ms minimum after removal of power, at nominal line, full load.

**Efficiency:** 80% typical.

**Brownout Protection:** Holds regulation to 85 Vac or 170 Vac.

### OUTPUT

**Adjustability:** User adjustable  $\pm 5\%$  minimum.

**Line & Load Regulation:**  $\pm 1\%$  over ac input range and 0 to 100% load change. Output #1 requires minimum load of 10%.

**Ripple & Noise:** Less than 1% p-p or 100 mV, whichever is greater.

**Remote Sense (Output #1):** Compensates for 250 mV total line drop. Open sense lead protection.

**Temperature Coefficient:** 0.02% per degree C.

**Stability:** 0.1% over 8 hours after 30 minutes warm-up.

**Transient Response (Output #1):** Output voltage returns to within 1% in less than 500  $\mu$ s for a 50% load change. Peak transient does not exceed 5%.

**Overload Protection:** All outputs are protected against overload and short circuit. Automatic recovery upon removal of fault.

**Overvoltage Protection (Output #1):** Protects load against power supply induced overvoltage. Trip point is factory set so that output voltage cannot exceed 136% of nominal.

**Remote Inhibit:** Contact closure to the negative sense line drops output power to nominal zero.

**Reverse Voltage:** Protected against reverse voltage up to supply current rating.

### ENVIRONMENTAL

**Thermal Protection:** Shuts down power supply if overheated. Automatic recovery.

**Temperature Range:** 0° to 50°C at full ratings. Derate to half power at 70°C.

**Safety Agencies:** Most models are approved to UL1950; CSA 22.2 #234; IEC 950 and TÜV EN60950, Class 1 SELV., CE 72/23/EEC/93/68EEC (low voltage directive).

**Conducted RFI:** Meets FCC Part 15, Subpart J, Class A; EN55022 Class B; CISPR 22 Class B.

**Cooling:** 30 cfm required to achieve full ratings.

**Output Isolation:** Isolated from ground 50 Vdc.

## FEATURES:

- Over 3 watt/in<sup>3</sup> power density
- 80% overall efficiency
- Meets international safety agency requirements
- All outputs regulated  $\pm 1\%$
- High peak currents for motor starting
- System air or self-cooling options
- Ac automatic line selection option
- Available in 24, 28, or 48 Vdc input

## OPTIONS:

**Option "A", Ac Auto-Range:** Automatically selects proper ac line voltage range to enable power operation at either 115 or 230 Vac without user intervention.

**Option "C", Cover:** Limits contact with power supply interior.

**Option "F", Fan/Cover Assembly:** Cover with integral ball-bearing fan provides proper cooling to achieve full ratings at 50°C ambient temperature.

**Option "P", Ac Power Fail:** Provides TTL "0" 5 ms before output voltage goes out of regulation band upon loss of ac power. VMEbus compatible, provides 48 mA sink current capability. Not available if option "G" is selected.

## AC INPUT

| FUNCTION     | 115 VAC       | 230 VAC       | CONNECTOR          |
|--------------|---------------|---------------|--------------------|
| Input Select | Short         | Open          | 0.187 Male Fastons |
| TB1-(L)      | Line          | Line 1        | Barrier strip      |
| TB1-(N)      | Neutral       | Line 2        |                    |
| TB1-(GND)    | Safety Ground | Safety Ground | #6-32 screws       |
|              |               |               | 3/8" centers       |

## DC INPUT

| FUNCTION   | MAX                 | CONNECTOR     |
|------------|---------------------|---------------|
| Output #1  | Terminal marked +V  | Bus bars      |
|            | Terminal marked COM |               |
| Output #2  | TB2-3 (+)           | Barrier strip |
|            | TB2-4 Rtn (Common)  |               |
| Output #3  | TB2-5 (-)           | #6-32 Screws  |
|            | TB2-4 Rtn (Common)  |               |
| Output #4* | TB2-1 (+)           | 3/8" centers  |
|            | TB2-2 (-)           |               |

## STATUS AND CONTROL

| FUNCTION                        | LOCATION  | NOTES               | CONNECTOR                      |
|---------------------------------|-----------|---------------------|--------------------------------|
| Remote Sense                    | J1-1(+S)  | Output #1 Sense     | #640456-4 pin header (locking) |
|                                 | J1-2 (S-) | Output #1 Sense Rtn |                                |
| Ac Power Fail or Dc Power Good* | J1-3 (PF) | Reference to J1-2   |                                |
| Inhibit                         | J1-4 (H)  | Short to J1-2       |                                |

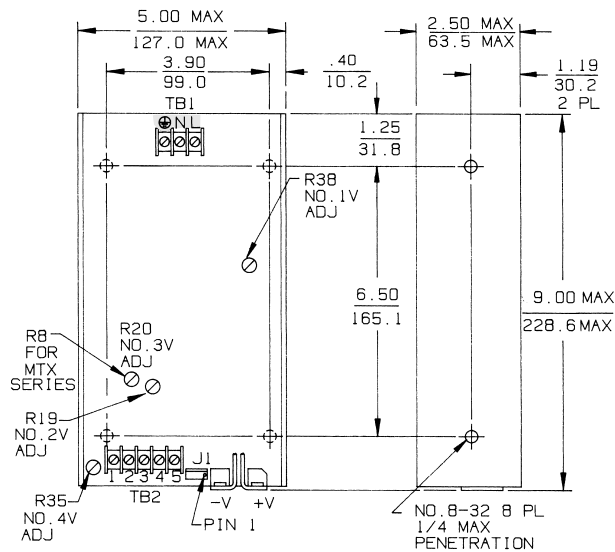
\*Rtn connected to common only if output is polarized in product selection chart

# MAX-250, MAX-350, Multiple Output

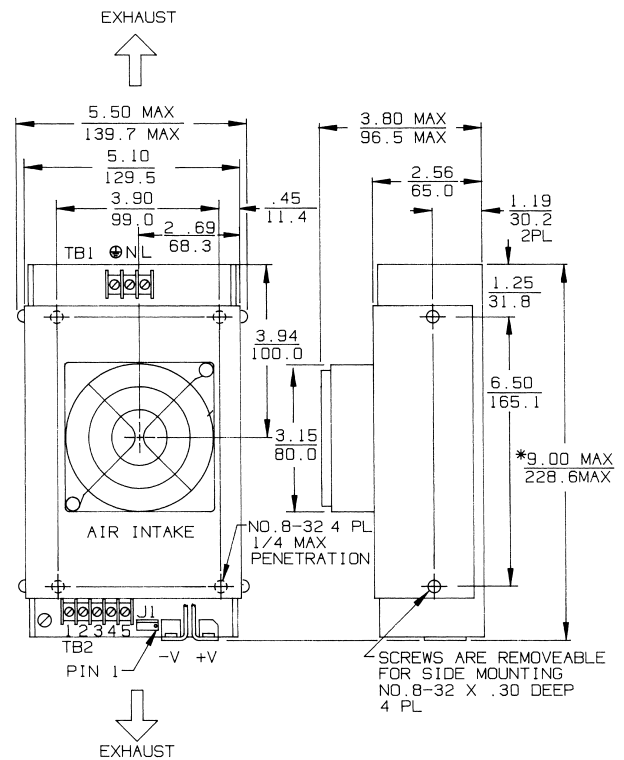
| Commercial Model | Power Out | Output No. | Output | Current   | Total Regulation(A) |
|------------------|-----------|------------|--------|-----------|---------------------|
| MAX-254-1205AFP  | 250       | 1          | +5 V   | 35 A      | 1%                  |
|                  |           | 2          | +12 V  | 8/12 A pk | 1%                  |
|                  |           | 3          | -12 V  | 4 A       | 1%                  |
|                  |           | 4          | 5.2 V  | 2 A       | 1%                  |
| MAX-354-1205AC   | 350       | 1          | +5 V   | 50 A      | 1%                  |
|                  |           | 2          | +12 V  | 8/12 A pk | 1%                  |
|                  |           | 3          | -12 V  | 4 A       | 1%                  |
| MAX-354-1205AFP  | 350       | 4          | 5.2 V  | 2 A       | 1%                  |
|                  |           | 1          | +5 V   | 50 A      | 1%                  |
| MAX-354-1212FP   | 350       | 2          | +12 V  | 8/12 A pk | 1%                  |
|                  |           | 3          | -12 V  | 2 A       | 1%                  |
|                  |           | 4          | 12 V   | 2 A       | 1%                  |

## MAX-250, MAX-350 MECHANICAL SPECIFICATIONS:

**MAX-350**  
3.4 lb - 1.5 kg



**MAX-350 with Option F**  
3.9 lb - 1.8 kg



Dimensions: Inches  
Millimeters



Condor D.C. Power Supplies, Inc., 2311 Statham Parkway, Oxnard, CA 93033  
800-235-5929 • 805-486-4565 • FAX 805-487-8911 • www.condorpower.com